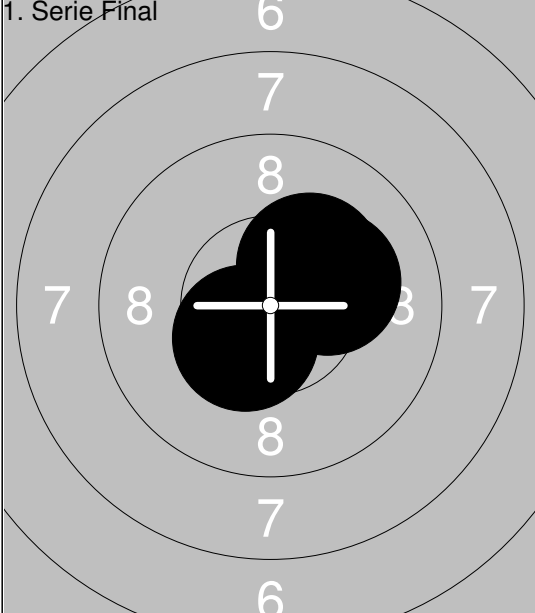
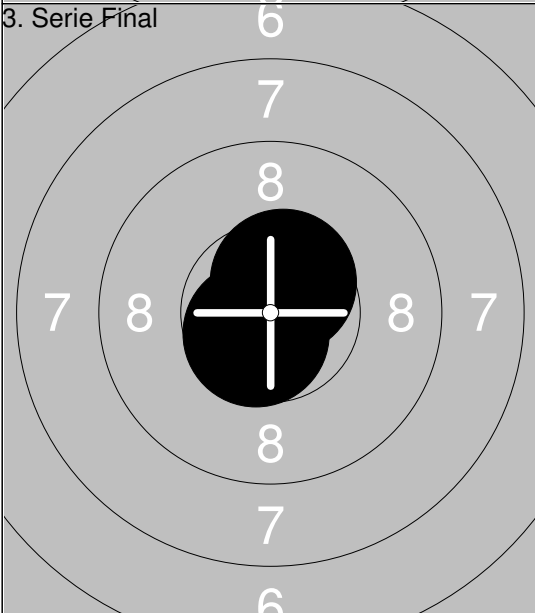
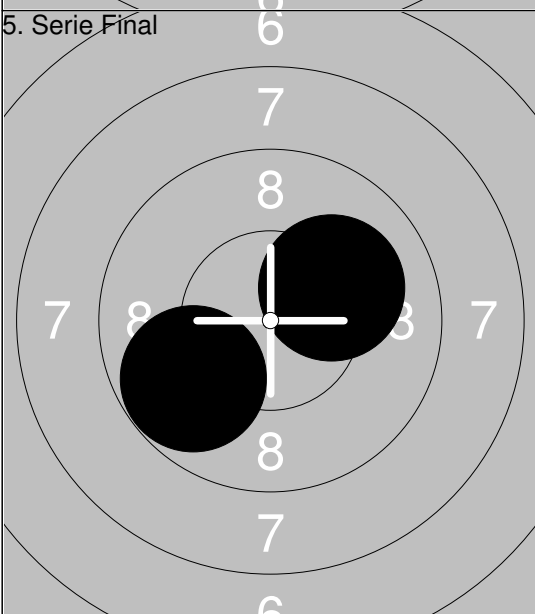

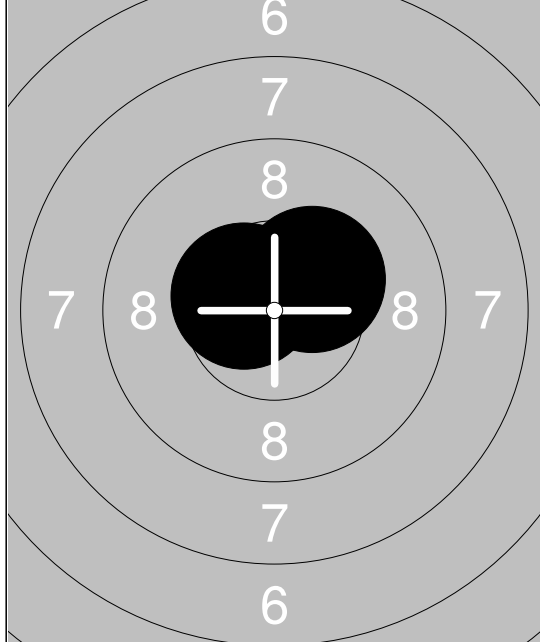


| | | | | | | | | | |
|--|-------|------|-------|-------|--|-------|------|-------|-------|
| <p>1. Serie Final</p>  <p style="text-align: center;">6 7 8 7 8 3 7 8 7</p> <p>1: *10.4 ↘ 2: *10.2 → 3: *10.3 ↗</p> <table border="1" style="width:100%; border-collapse: collapse;"> <tr><td style="text-align: right;">Serie</td><td style="text-align: right;">30.9</td></tr> <tr><td style="text-align: right;">Total</td><td style="text-align: right;">30.9</td></tr> </table> | Serie | 30.9 | Total | 30.9 | <p>2. Serie Final</p>  <p style="text-align: center;">6 7 8 7 8 8 7 8 7</p> <p>1: 10.1 ← 2: *10.8 ↘ 3: *10.2 ←</p> <table border="1" style="width:100%; border-collapse: collapse;"> <tr><td style="text-align: right;">Serie</td><td style="text-align: right;">31.1</td></tr> <tr><td style="text-align: right;">Total</td><td style="text-align: right;">62.0</td></tr> </table> | Serie | 31.1 | Total | 62.0 |
| Serie | 30.9 | | | | | | | | |
| Total | 30.9 | | | | | | | | |
| Serie | 31.1 | | | | | | | | |
| Total | 62.0 | | | | | | | | |
| <p>3. Serie Final</p>  <p style="text-align: center;">6 6 7 7 8 8 7 8 7</p> <p>1: *10.6 ↗ 2: *10.6 ↘</p> <table border="1" style="width:100%; border-collapse: collapse;"> <tr><td style="text-align: right;">Serie</td><td style="text-align: right;">21.2</td></tr> <tr><td style="text-align: right;">Total</td><td style="text-align: right;">83.2</td></tr> </table> | Serie | 21.2 | Total | 83.2 | <p>4. Serie Final</p>  <p style="text-align: center;">6 6 7 7 8 3 7 8 7</p> <p>1: *10.4 ← 2: *10.2 →</p> <table border="1" style="width:100%; border-collapse: collapse;"> <tr><td style="text-align: right;">Serie</td><td style="text-align: right;">20.6</td></tr> <tr><td style="text-align: right;">Total</td><td style="text-align: right;">103.8</td></tr> </table> | Serie | 20.6 | Total | 103.8 |
| Serie | 21.2 | | | | | | | | |
| Total | 83.2 | | | | | | | | |
| Serie | 20.6 | | | | | | | | |
| Total | 103.8 | | | | | | | | |
| <p>5. Serie Final</p> <p style="text-align: center;">6 6 7 7 8 3 7 8 7</p> <p>1: 9.8 ← 2: 10.1 →</p> <table border="1" style="width:100%; border-collapse: collapse;"> <tr><td style="text-align: right;">Serie</td><td style="text-align: right;">19.9</td></tr> <tr><td style="text-align: right;">Total</td><td style="text-align: right;">123.7</td></tr> </table> | Serie | 19.9 | Total | 123.7 | <p>6. Serie Final</p> <p style="text-align: center;">6 6 7 7 8 8 7 8 7</p> <p>1: *10.4 ↘ 2: *10.6 ↘</p> <table border="1" style="width:100%; border-collapse: collapse;"> <tr><td style="text-align: right;">Serie</td><td style="text-align: right;">21.0</td></tr> <tr><td style="text-align: right;">Total</td><td style="text-align: right;">144.7</td></tr> </table> | Serie | 21.0 | Total | 144.7 |
| Serie | 19.9 | | | | | | | | |
| Total | 123.7 | | | | | | | | |
| Serie | 21.0 | | | | | | | | |
| Total | 144.7 | | | | | | | | |

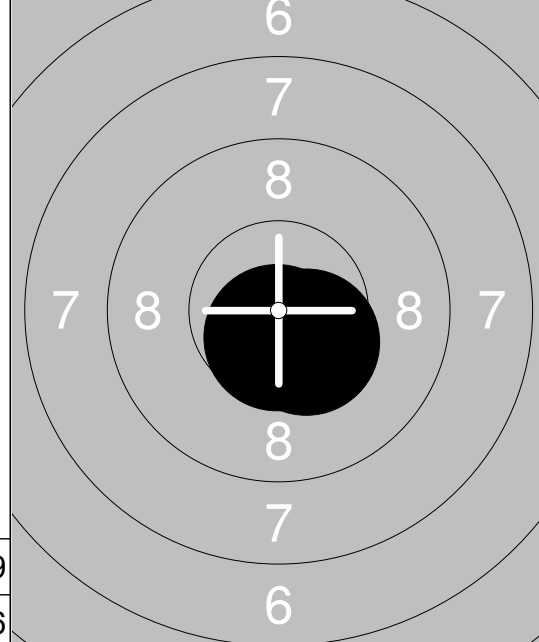
7. Serie Final



1: *10.5 ↖
2: *10.4 ↗

| | |
|-------|-------|
| Serie | 20.9 |
| Total | 165.6 |

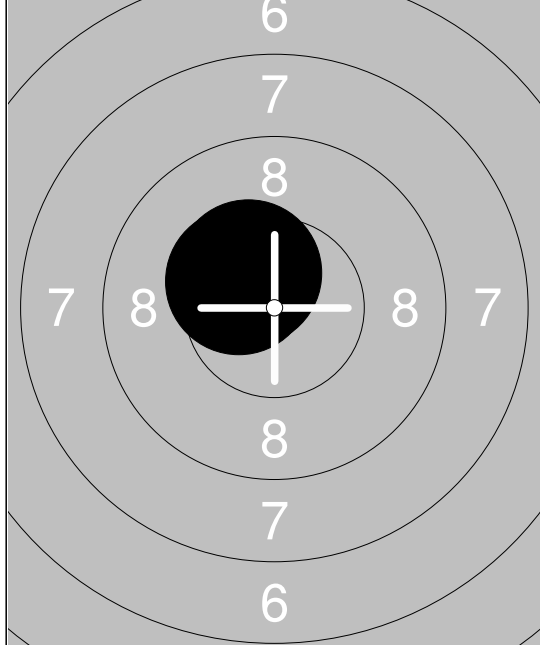
8. Serie Final



1: *10.4 ↘
2: *10.6 ↓

| | |
|-------|-------|
| Serie | 21.0 |
| Total | 186.6 |

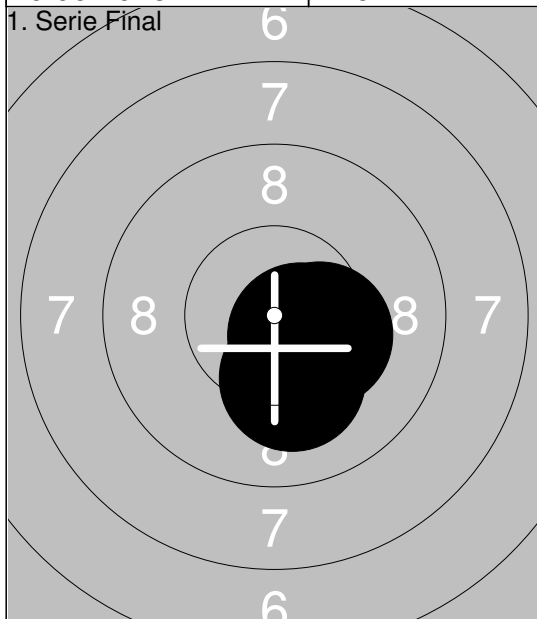
9. Serie Final



1: *10.4 ↖
2: *10.4 ↖

| | |
|-------|-------|
| Serie | 20.8 |
| Total | 207.4 |

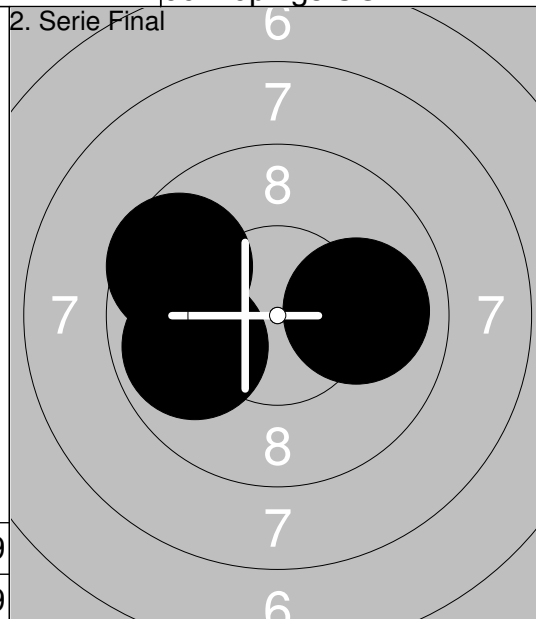
1. Serie Final



1: 10.1 ↓
 2: *10.5 ↘
 3: *10.3 ↘

Serie 30.9
 Total 30.9

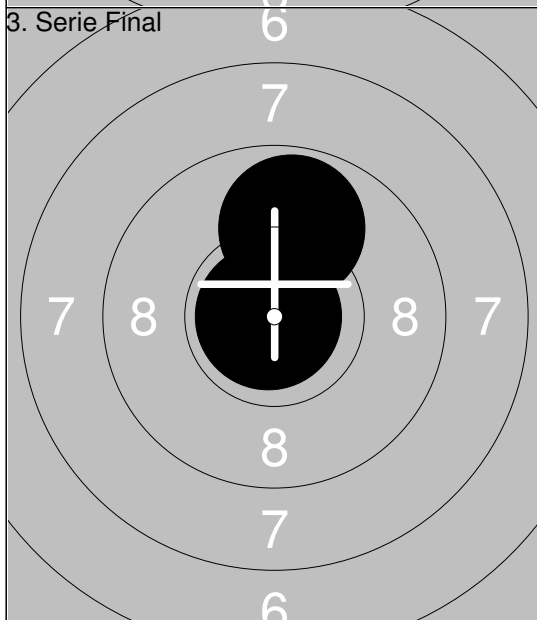
2. Serie Final



1: 10.0 →
 2: 9.6 ↖
 3: 9.9 ↖

Serie 29.5
 Total 60.4

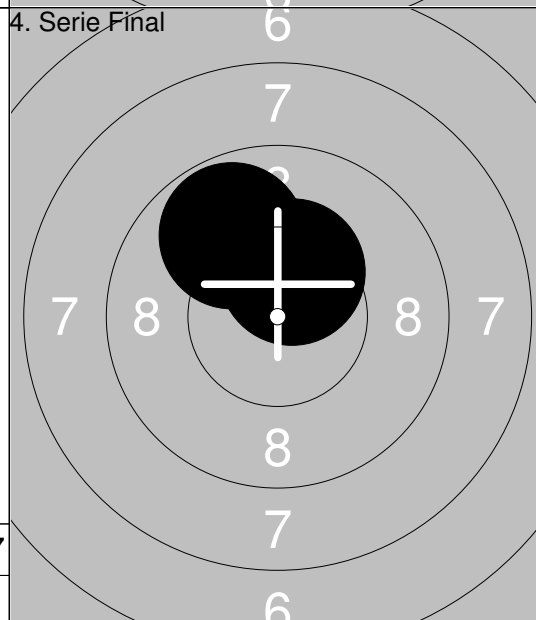
3. Serie Final



1: 9.8 ↑
 2: *10.9 ↖

Serie 20.7
 Total 81.1

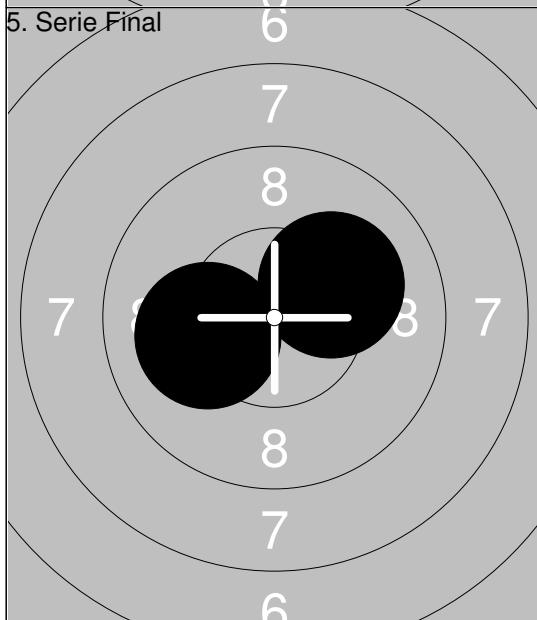
4. Serie Final



1: *10.4 ↗
 2: 9.8 ↖

Serie 20.2
 Total 101.3

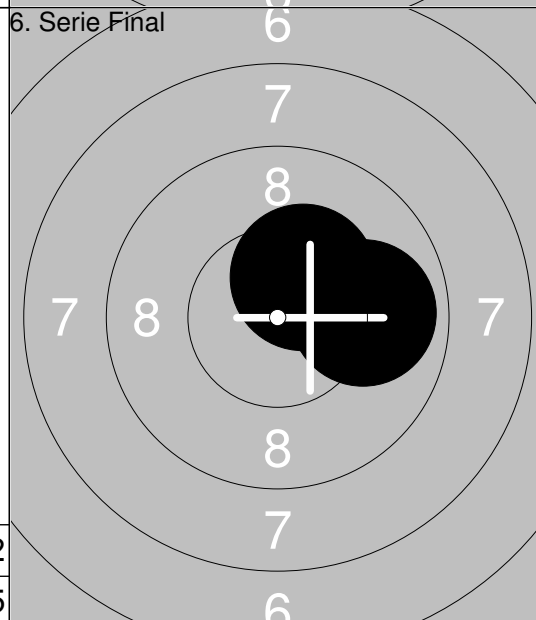
5. Serie Final



1: 10.1 ↖
 2: 10.1 ↗

Serie 20.2
 Total 121.5

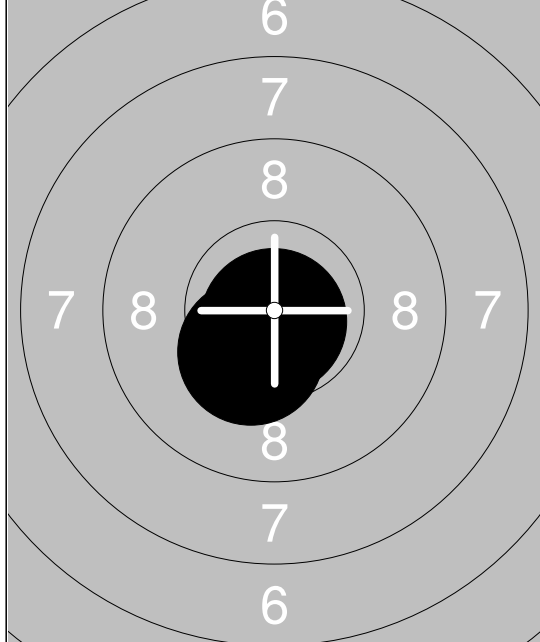
6. Serie Final



1: *10.4 ↗
 2: 9.9 →

Serie 20.3
 Total 141.8

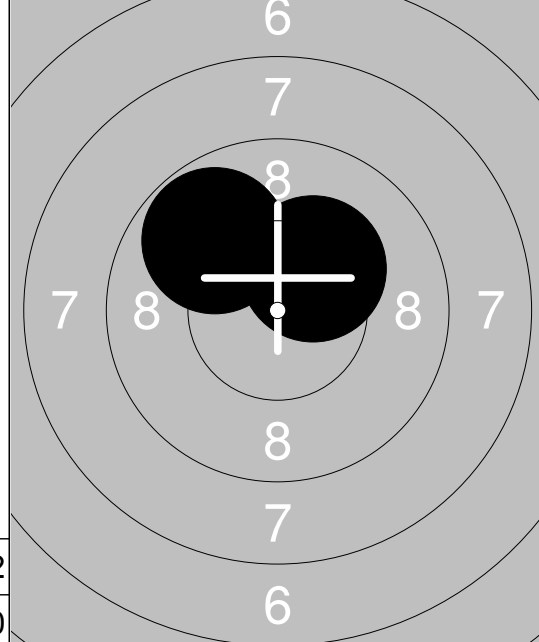
7. Serie Final



1: *10.4 ↘
 2: *10.8 ↘

| | |
|-------|-------|
| Serie | 21.2 |
| Total | 163.0 |

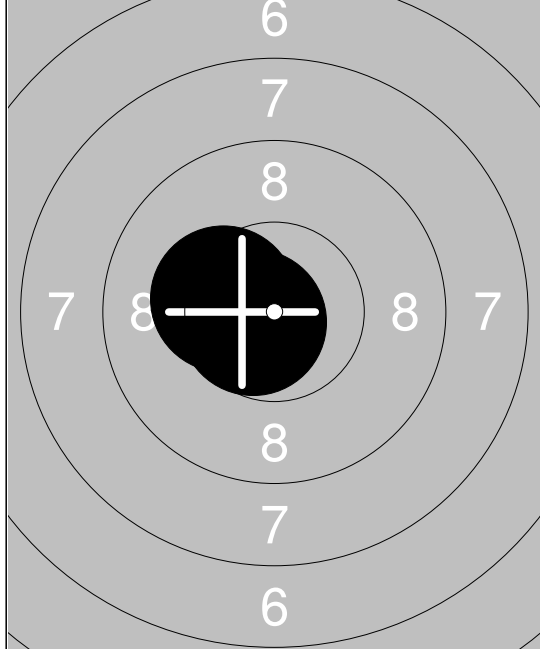
8. Serie Final



1: 9.8 ↖
 2: *10.3 ↗

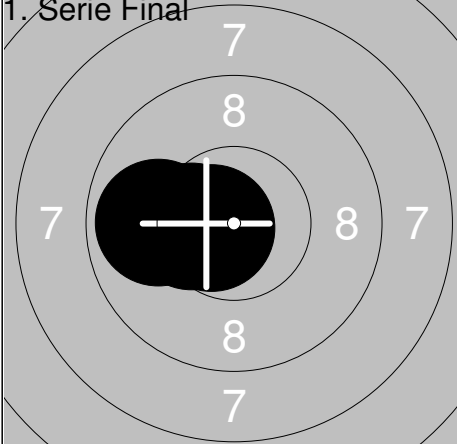
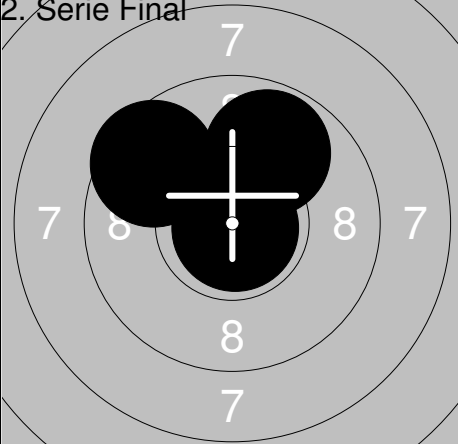
| | |
|-------|-------|
| Serie | 20.1 |
| Total | 183.1 |


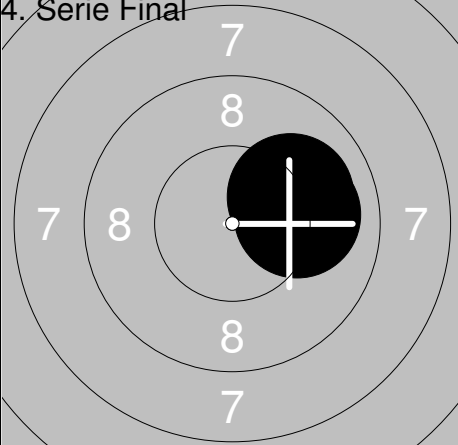
9. Serie Final

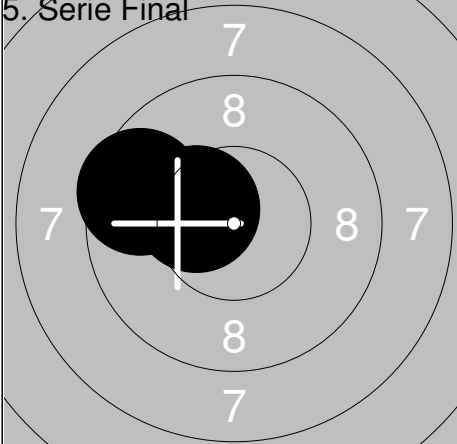
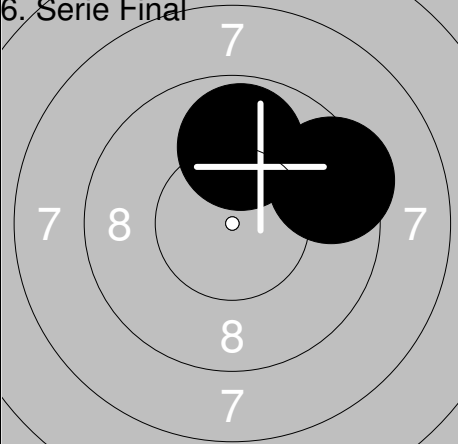



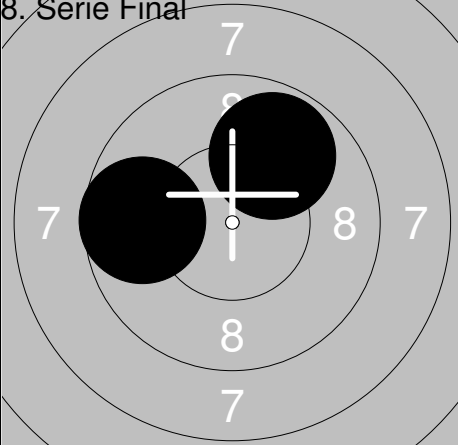
1: *10.3 ↖
 2: *10.7 ↘

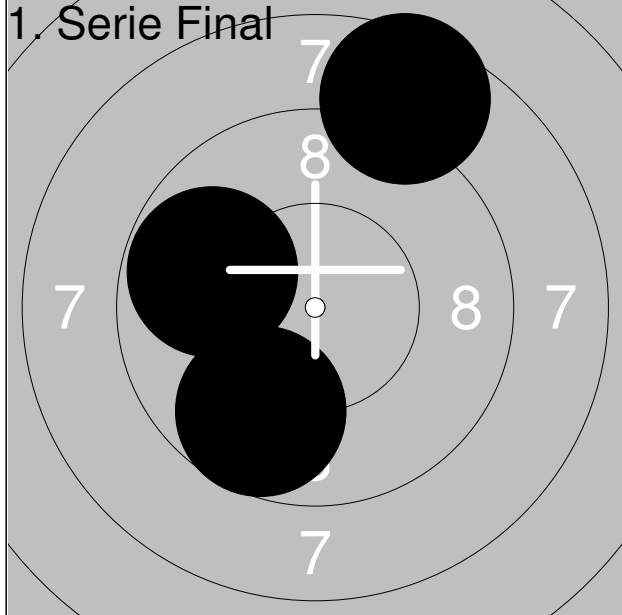
| | |
|-------|-------|
| Serie | 21.0 |
| Total | 204.1 |

| | | | | | | | | | | | | | | | | | | | | | | | | | |
|--|--------|---|----------|---|----------|---|-------|--|-------|------|-------|------|--|----------|---|--------|---|--------|---|-------|--|-------|------|-------|------|
| <p>1. Serie Final</p>  <table border="1" style="width:100%; border-collapse: collapse;"> <tr> <td>1: 9.9</td> <td style="text-align: right;">←</td> </tr> <tr> <td>2: *10.3</td> <td style="text-align: right;">←</td> </tr> <tr> <td>3: *10.6</td> <td style="text-align: right;">←</td> </tr> <tr> <td colspan="2"><hr/></td> </tr> <tr> <td>Serie</td> <td style="text-align: right;">30.8</td> </tr> <tr> <td>Total</td> <td style="text-align: right;">30.8</td> </tr> </table> | 1: 9.9 | ← | 2: *10.3 | ← | 3: *10.6 | ← | <hr/> | | Serie | 30.8 | Total | 30.8 | <p>2. Serie Final</p>  <table border="1" style="width:100%; border-collapse: collapse;"> <tr> <td>1: *10.9</td> <td style="text-align: right;">↘</td> </tr> <tr> <td>2: 9.5</td> <td style="text-align: right;">↗</td> </tr> <tr> <td>3: 9.8</td> <td style="text-align: right;">↗</td> </tr> <tr> <td colspan="2"><hr/></td> </tr> <tr> <td>Serie</td> <td style="text-align: right;">30.2</td> </tr> <tr> <td>Total</td> <td style="text-align: right;">61.0</td> </tr> </table> | 1: *10.9 | ↘ | 2: 9.5 | ↗ | 3: 9.8 | ↗ | <hr/> | | Serie | 30.2 | Total | 61.0 |
| 1: 9.9 | ← | | | | | | | | | | | | | | | | | | | | | | | | |
| 2: *10.3 | ← | | | | | | | | | | | | | | | | | | | | | | | | |
| 3: *10.6 | ← | | | | | | | | | | | | | | | | | | | | | | | | |
| <hr/> | | | | | | | | | | | | | | | | | | | | | | | | | |
| Serie | 30.8 | | | | | | | | | | | | | | | | | | | | | | | | |
| Total | 30.8 | | | | | | | | | | | | | | | | | | | | | | | | |
| 1: *10.9 | ↘ | | | | | | | | | | | | | | | | | | | | | | | | |
| 2: 9.5 | ↗ | | | | | | | | | | | | | | | | | | | | | | | | |
| 3: 9.8 | ↗ | | | | | | | | | | | | | | | | | | | | | | | | |
| <hr/> | | | | | | | | | | | | | | | | | | | | | | | | | |
| Serie | 30.2 | | | | | | | | | | | | | | | | | | | | | | | | |
| Total | 61.0 | | | | | | | | | | | | | | | | | | | | | | | | |

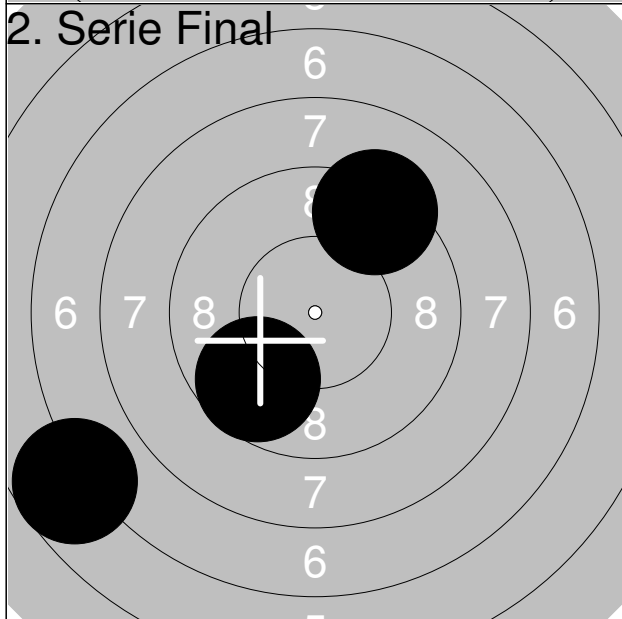
| | | | | | | | | | | | | | | | | | | | | | |
|--|----------|---|----------|---|-------|--|-------|------|-------|------|---|---------|---|---------|---|-------|--|-------|------|-------|-------|
| <p>3. Serie Final</p>  <table border="1" style="width:100%; border-collapse: collapse;"> <tr> <td>1: *10.2</td> <td style="text-align: right;">↓</td> </tr> <tr> <td>2: *10.6</td> <td style="text-align: right;">↓</td> </tr> <tr> <td colspan="2"><hr/></td> </tr> <tr> <td>Serie</td> <td style="text-align: right;">20.8</td> </tr> <tr> <td>Total</td> <td style="text-align: right;">81.8</td> </tr> </table> | 1: *10.2 | ↓ | 2: *10.6 | ↓ | <hr/> | | Serie | 20.8 | Total | 81.8 | <p>4. Serie Final</p>  <table border="1" style="width:100%; border-collapse: collapse;"> <tr> <td>1: 10.0</td> <td style="text-align: right;">→</td> </tr> <tr> <td>2: 10.0</td> <td style="text-align: right;">↗</td> </tr> <tr> <td colspan="2"><hr/></td> </tr> <tr> <td>Serie</td> <td style="text-align: right;">20.0</td> </tr> <tr> <td>Total</td> <td style="text-align: right;">101.8</td> </tr> </table> | 1: 10.0 | → | 2: 10.0 | ↗ | <hr/> | | Serie | 20.0 | Total | 101.8 |
| 1: *10.2 | ↓ | | | | | | | | | | | | | | | | | | | | |
| 2: *10.6 | ↓ | | | | | | | | | | | | | | | | | | | | |
| <hr/> | | | | | | | | | | | | | | | | | | | | | |
| Serie | 20.8 | | | | | | | | | | | | | | | | | | | | |
| Total | 81.8 | | | | | | | | | | | | | | | | | | | | |
| 1: 10.0 | → | | | | | | | | | | | | | | | | | | | | |
| 2: 10.0 | ↗ | | | | | | | | | | | | | | | | | | | | |
| <hr/> | | | | | | | | | | | | | | | | | | | | | |
| Serie | 20.0 | | | | | | | | | | | | | | | | | | | | |
| Total | 101.8 | | | | | | | | | | | | | | | | | | | | |

| | | | | | | | | | | | | | | | | | | | | | |
|--|----------|---|--------|---|-------|--|-------|------|-------|-------|--|--------|---|--------|---|-------|--|-------|------|-------|-------|
| <p>5. Serie Final</p>  <table border="1" style="width:100%; border-collapse: collapse;"> <tr> <td>1: *10.4</td> <td style="text-align: right;">←</td> </tr> <tr> <td>2: 9.5</td> <td style="text-align: right;">←</td> </tr> <tr> <td colspan="2"><hr/></td> </tr> <tr> <td>Serie</td> <td style="text-align: right;">19.9</td> </tr> <tr> <td>Total</td> <td style="text-align: right;">121.7</td> </tr> </table> | 1: *10.4 | ← | 2: 9.5 | ← | <hr/> | | Serie | 19.9 | Total | 121.7 | <p>6. Serie Final</p>  <table border="1" style="width:100%; border-collapse: collapse;"> <tr> <td>1: 9.9</td> <td style="text-align: right;">↑</td> </tr> <tr> <td>2: 9.4</td> <td style="text-align: right;">↗</td> </tr> <tr> <td colspan="2"><hr/></td> </tr> <tr> <td>Serie</td> <td style="text-align: right;">19.3</td> </tr> <tr> <td>Total</td> <td style="text-align: right;">141.0</td> </tr> </table> | 1: 9.9 | ↑ | 2: 9.4 | ↗ | <hr/> | | Serie | 19.3 | Total | 141.0 |
| 1: *10.4 | ← | | | | | | | | | | | | | | | | | | | | |
| 2: 9.5 | ← | | | | | | | | | | | | | | | | | | | | |
| <hr/> | | | | | | | | | | | | | | | | | | | | | |
| Serie | 19.9 | | | | | | | | | | | | | | | | | | | | |
| Total | 121.7 | | | | | | | | | | | | | | | | | | | | |
| 1: 9.9 | ↑ | | | | | | | | | | | | | | | | | | | | |
| 2: 9.4 | ↗ | | | | | | | | | | | | | | | | | | | | |
| <hr/> | | | | | | | | | | | | | | | | | | | | | |
| Serie | 19.3 | | | | | | | | | | | | | | | | | | | | |
| Total | 141.0 | | | | | | | | | | | | | | | | | | | | |

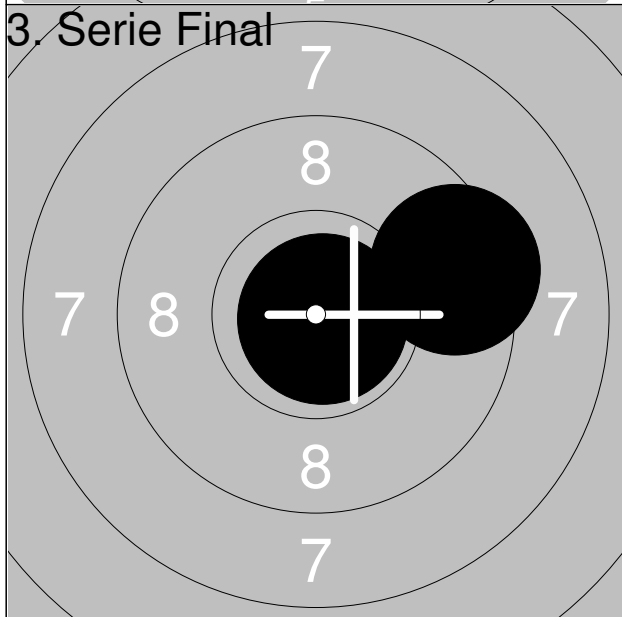
| | | | | | | | | | | | | | | | | | | | | | |
|--|----------|---|----------|---|-------|--|-------|------|-------|-------|--|--------|---|--------|---|-------|--|-------|------|-------|-------|
| <p>7. Serie Final</p>  <table border="1" style="width:100%; border-collapse: collapse;"> <tr> <td>1: *10.5</td> <td style="text-align: right;">←</td> </tr> <tr> <td>2: *10.5</td> <td style="text-align: right;">↘</td> </tr> <tr> <td colspan="2"><hr/></td> </tr> <tr> <td>Serie</td> <td style="text-align: right;">21.0</td> </tr> <tr> <td>Total</td> <td style="text-align: right;">162.0</td> </tr> </table> | 1: *10.5 | ← | 2: *10.5 | ↘ | <hr/> | | Serie | 21.0 | Total | 162.0 | <p>8. Serie Final</p>  <table border="1" style="width:100%; border-collapse: collapse;"> <tr> <td>1: 9.7</td> <td style="text-align: right;">←</td> </tr> <tr> <td>2: 9.8</td> <td style="text-align: right;">↗</td> </tr> <tr> <td colspan="2"><hr/></td> </tr> <tr> <td>Serie</td> <td style="text-align: right;">19.5</td> </tr> <tr> <td>Total</td> <td style="text-align: right;">181.5</td> </tr> </table> | 1: 9.7 | ← | 2: 9.8 | ↗ | <hr/> | | Serie | 19.5 | Total | 181.5 |
| 1: *10.5 | ← | | | | | | | | | | | | | | | | | | | | |
| 2: *10.5 | ↘ | | | | | | | | | | | | | | | | | | | | |
| <hr/> | | | | | | | | | | | | | | | | | | | | | |
| Serie | 21.0 | | | | | | | | | | | | | | | | | | | | |
| Total | 162.0 | | | | | | | | | | | | | | | | | | | | |
| 1: 9.7 | ← | | | | | | | | | | | | | | | | | | | | |
| 2: 9.8 | ↗ | | | | | | | | | | | | | | | | | | | | |
| <hr/> | | | | | | | | | | | | | | | | | | | | | |
| Serie | 19.5 | | | | | | | | | | | | | | | | | | | | |
| Total | 181.5 | | | | | | | | | | | | | | | | | | | | |



| | | | |
|--------------|----|-----|-------------|
| | 1: | 8.5 | ↗ |
| | 2: | 9.7 | ↘ |
| | 3: | 9.8 | ← |
| Serie | | | 28.0 |
| Total | | | 28.0 |

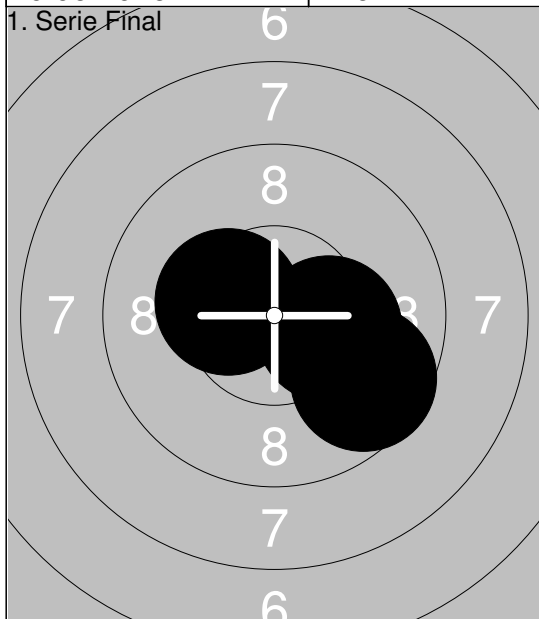


| | | | |
|--------------|----|-----|-------------|
| | 1: | 9.7 | ↘ |
| | 2: | 9.3 | ↗ |
| | 3: | 6.7 | ↙ |
| Serie | | | 25.7 |
| Total | | | 53.7 |



| | | | |
|--------------|----|-------|-------------|
| | 1: | 9.4 | → |
| | 2: | *10.9 | ↘ |
| Serie | | | 20.3 |
| Total | | | 74.0 |

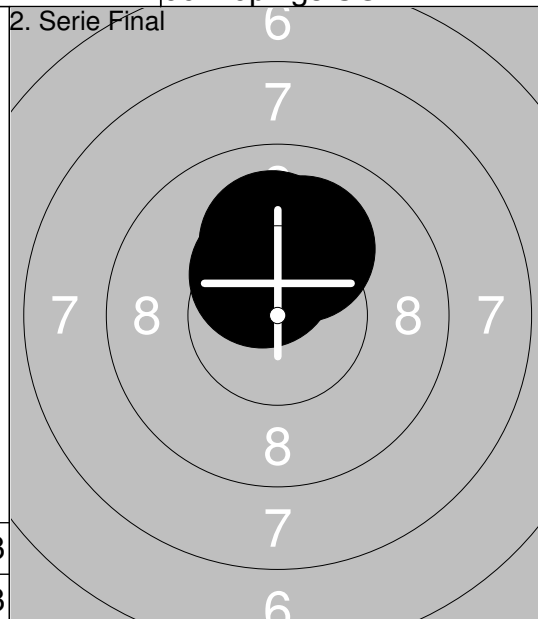
1. Serie Final



1: *10.4 ↖
 2: *10.3 →
 3: 9.6 ↘

Serie 30.3
 Total 30.3

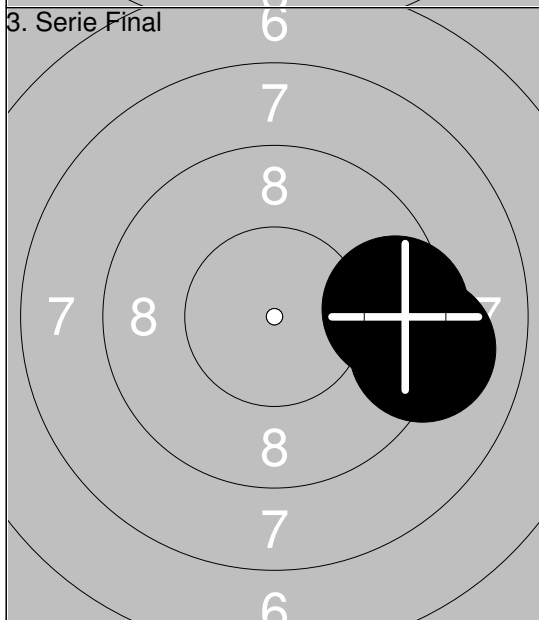
2. Serie Final



1: *10.4 ↖
 2: 10.1 ↗
 3: 10.1 ↗

Serie 30.6
 Total 60.9

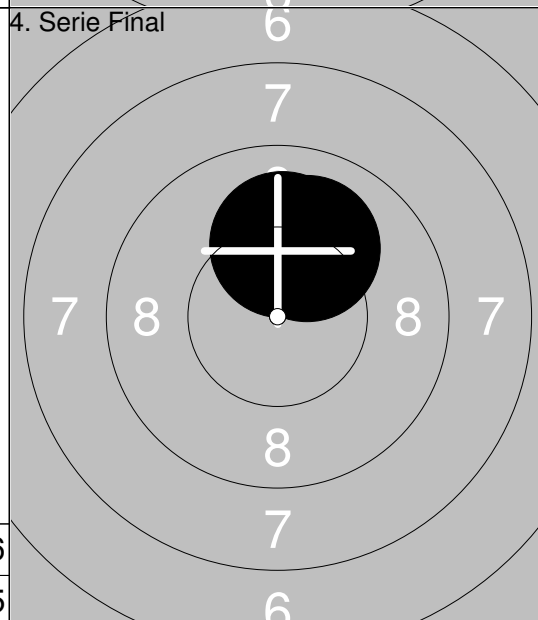
3. Serie Final



1: 9.1 →
 2: 9.5 →

Serie 18.6
 Total 79.5

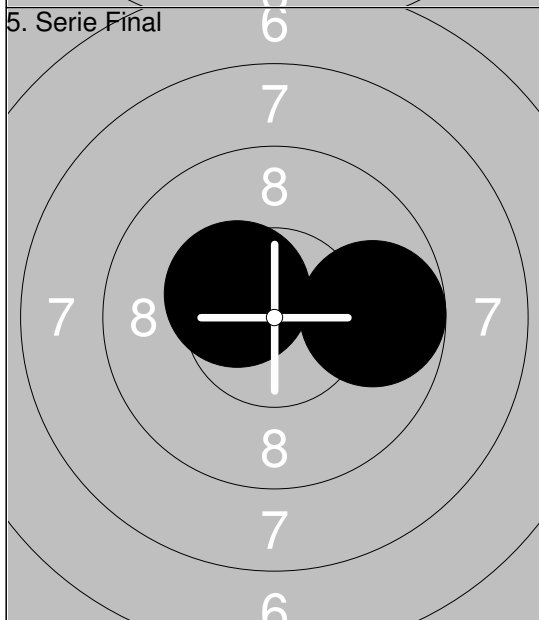
4. Serie Final



1: 10.1 ↗
 2: 10.0 ↗

Serie 20.1
 Total 99.6

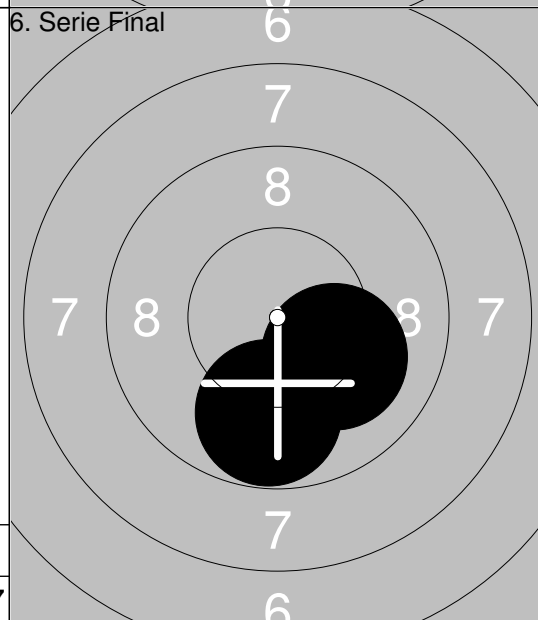
5. Serie Final



1: *10.4 ↖
 2: 9.7 →

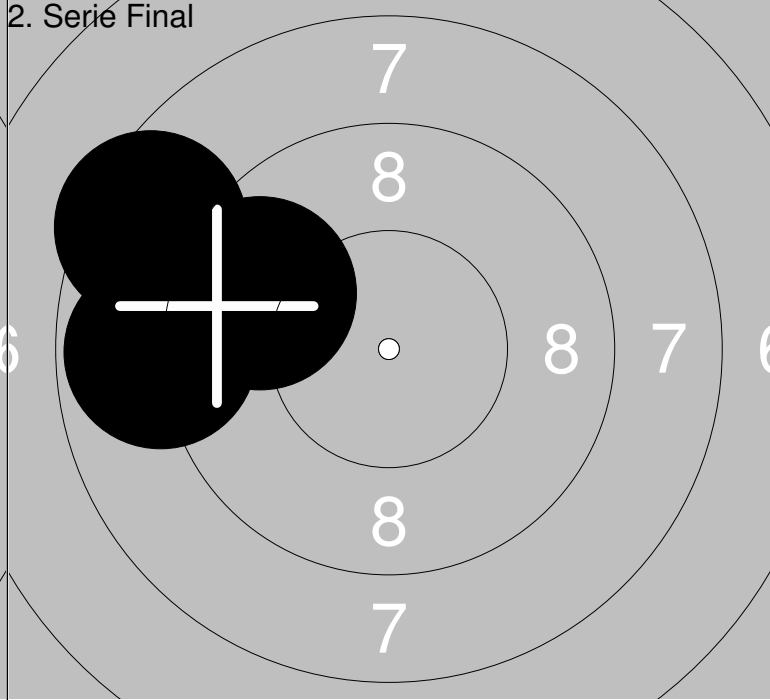
Serie 20.1
 Total 119.7

6. Serie Final



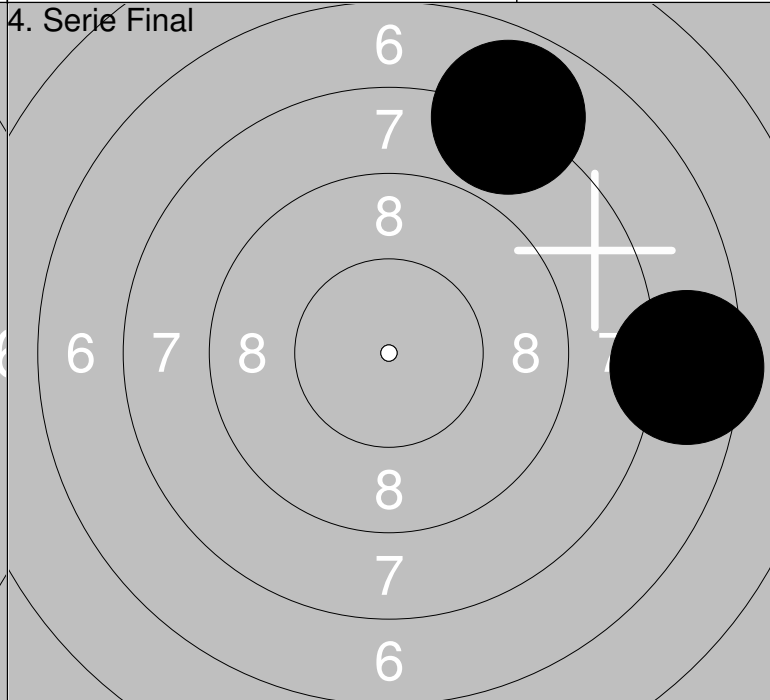
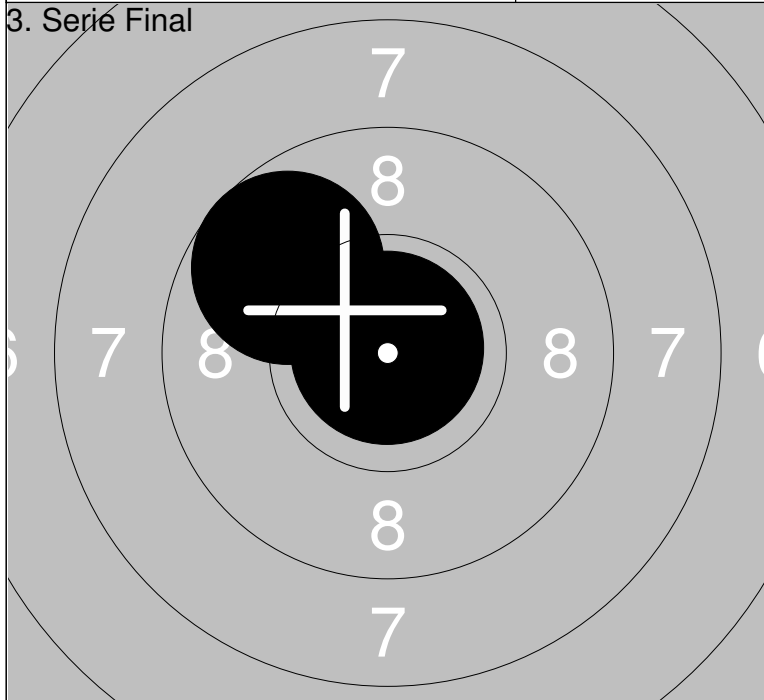
1: 9.8 ↓
 2: 10.1 ↘

Serie 19.9
 Total 139.6



| | | |
|------------|-------|------|
| 1: *10.3 ↓ | Serie | 30.6 |
| 2: 9.8 ↘ | | |
| 3: *10.5 ↑ | | |
| Total | | 30.6 |

| | | |
|----------|-------|------|
| 1: 8.5 ↖ | Serie | 26.9 |
| 2: 8.8 ← | | |
| 3: 9.6 ↖ | | |
| Total | | 57.5 |



| | | |
|------------|-------|------|
| 1: *10.9 ↑ | Serie | 20.6 |
| 2: 9.7 ↖ | | |
| Total | | |

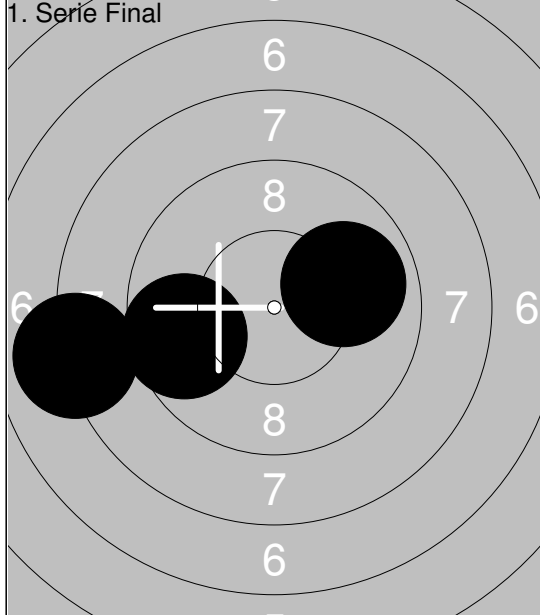
| | | |
|----------|-------|------|
| 1: 7.9 ↗ | Serie | 15.4 |
| 2: 7.5 → | | |
| Total | | |

| | | | | | | | | | | | |
|---|---|-----------------------|---|-------|------|---|--|-------|------|-------|------|
| <p>1. Serie Final</p> | <p>1: *10.3 ↖ 2: 9.6 ↗ 3: *10.4 ↗</p> | <p>2. Serie Final</p> | <p>1: *10.7 → 2: 9.4 ↗ 3: *10.6 ↖</p> | | | | | | | | |
| <table style="width:100%; border-collapse: collapse;"> <tr> <td style="border-right: 1px solid black;">Serie</td> <td style="text-align: right;">30.3</td> </tr> <tr> <td style="border-right: 1px solid black;">Total</td> <td style="text-align: right;">30.3</td> </tr> </table> | | Serie | 30.3 | Total | 30.3 | <table style="width:100%; border-collapse: collapse;"> <tr> <td style="border-right: 1px solid black;">Serie</td> <td style="text-align: right;">30.7</td> </tr> <tr> <td style="border-right: 1px solid black;">Total</td> <td style="text-align: right;">61.0</td> </tr> </table> | | Serie | 30.7 | Total | 61.0 |
| Serie | 30.3 | | | | | | | | | | |
| Total | 30.3 | | | | | | | | | | |
| Serie | 30.7 | | | | | | | | | | |
| Total | 61.0 | | | | | | | | | | |

| | | | | | | | | | | | |
|---|--------------------------------|-----------------------|---------------------------------|-------|------|--|--|-------|------|-------|-------|
| <p>3. Serie Final</p> | <p>1: *10.8 ↘ 2: 9.4 ↗</p> | <p>4. Serie Final</p> | <p>1: *10.6 ← 2: 10.0 ↑</p> | | | | | | | | |
| <table style="width:100%; border-collapse: collapse;"> <tr> <td style="border-right: 1px solid black;">Serie</td> <td style="text-align: right;">20.2</td> </tr> <tr> <td style="border-right: 1px solid black;">Total</td> <td style="text-align: right;">81.2</td> </tr> </table> | | Serie | 20.2 | Total | 81.2 | <table style="width:100%; border-collapse: collapse;"> <tr> <td style="border-right: 1px solid black;">Serie</td> <td style="text-align: right;">20.6</td> </tr> <tr> <td style="border-right: 1px solid black;">Total</td> <td style="text-align: right;">101.8</td> </tr> </table> | | Serie | 20.6 | Total | 101.8 |
| Serie | 20.2 | | | | | | | | | | |
| Total | 81.2 | | | | | | | | | | |
| Serie | 20.6 | | | | | | | | | | |
| Total | 101.8 | | | | | | | | | | |

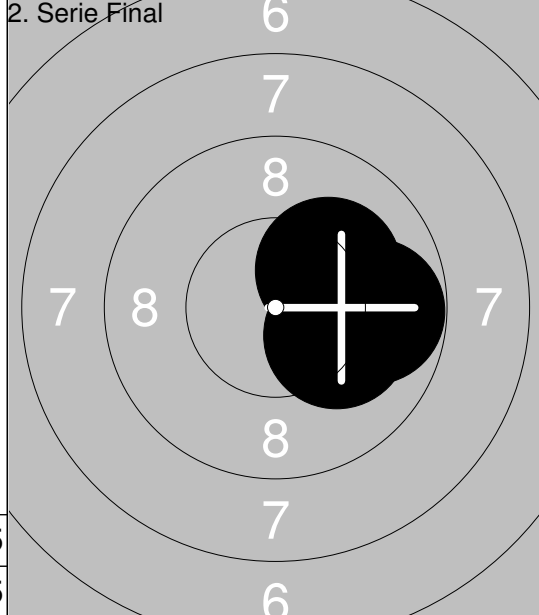
| | | | | | | | | | | | |
|--|------------------------------|-----------------------|---------------------------------|-------|-------|--|--|-------|------|-------|-------|
| <p>5. Serie Final</p> | <p>1: 9.6 ↘ 2: 9.4 ↖</p> | <p>6. Serie Final</p> | <p>1: *10.5 ↘ 2: 10.1 ↖</p> | | | | | | | | |
| <table style="width:100%; border-collapse: collapse;"> <tr> <td style="border-right: 1px solid black;">Serie</td> <td style="text-align: right;">19.0</td> </tr> <tr> <td style="border-right: 1px solid black;">Total</td> <td style="text-align: right;">120.8</td> </tr> </table> | | Serie | 19.0 | Total | 120.8 | <table style="width:100%; border-collapse: collapse;"> <tr> <td style="border-right: 1px solid black;">Serie</td> <td style="text-align: right;">20.6</td> </tr> <tr> <td style="border-right: 1px solid black;">Total</td> <td style="text-align: right;">141.4</td> </tr> </table> | | Serie | 20.6 | Total | 141.4 |
| Serie | 19.0 | | | | | | | | | | |
| Total | 120.8 | | | | | | | | | | |
| Serie | 20.6 | | | | | | | | | | |
| Total | 141.4 | | | | | | | | | | |

| | | | | | | | |
|--|--------------------------------|-------|------|-------|-------|--|--|
| <p>7. Serie Final</p> | <p>1: 9.5 ↘ 2: *10.8 ←</p> | | | | | | |
| <table style="width:100%; border-collapse: collapse;"> <tr> <td style="border-right: 1px solid black;">Serie</td> <td style="text-align: right;">20.3</td> </tr> <tr> <td style="border-right: 1px solid black;">Total</td> <td style="text-align: right;">161.7</td> </tr> </table> | | Serie | 20.3 | Total | 161.7 | | |
| Serie | 20.3 | | | | | | |
| Total | 161.7 | | | | | | |



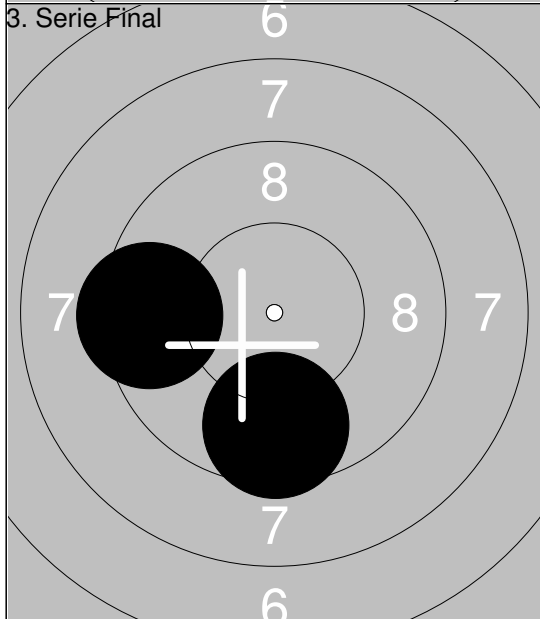
1: 9.9 →
 2: 8.0 ←
 3: 9.6 ←

| | |
|-------|------|
| Serie | 27.5 |
| Total | 27.5 |



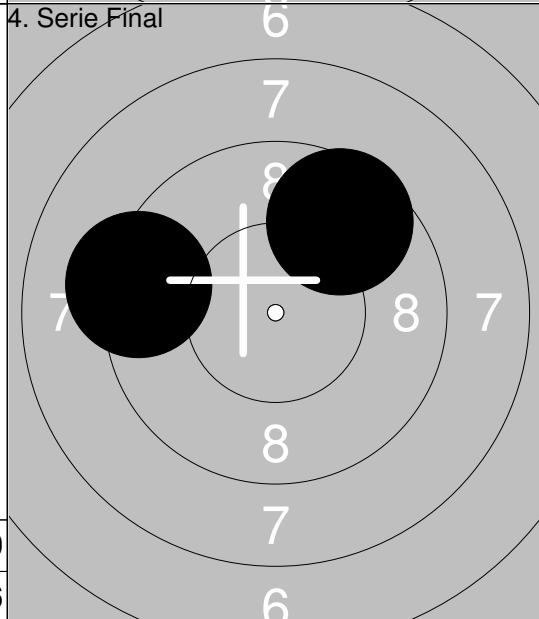
1: 9.8 →
 2: 10.1 ↘
 3: *10.2 ↗

| | |
|-------|------|
| Serie | 30.1 |
| Total | 57.6 |



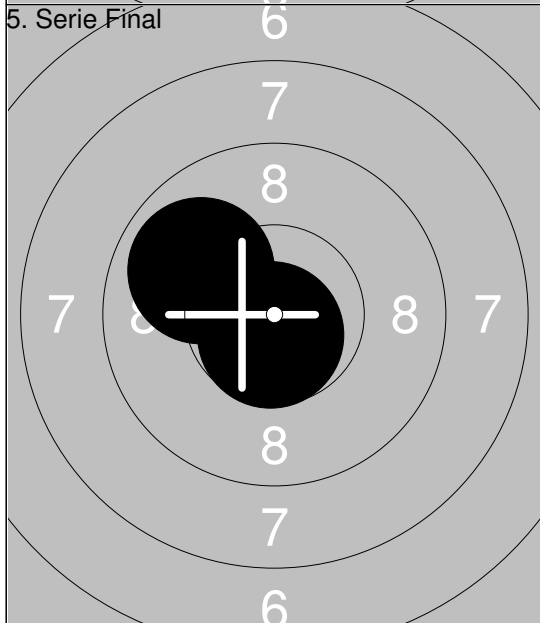
1: 9.6 ↓
 2: 9.4 ←

| | |
|-------|------|
| Serie | 19.0 |
| Total | 76.6 |



1: 9.2 ←
 2: 9.6 ↗

| | |
|-------|------|
| Serie | 18.8 |
| Total | 95.4 |



1: 9.9 ↖
 2: *10.7 ↓

| | |
|-------|-------|
| Serie | 20.6 |
| Total | 116.0 |